



SERIES 100 Vinyl

Low Fixed Picture
High Fixed Picture
Direct Set Picture

Technical Specifications
and Cross-Sectional
Details

Table of Contents

CONSTRUCTIONS SPECIFICATIONS - SECTION 08 54 00 2

PART 1 GENERAL 2

 1.1. SECTION INCLUDES 2

 1.2. REFERENCES 2

 1.3. SUBMITTALS 3

 1.4. QUALITY ASSURANCE 3

 1.5. STORAGE AND HANDLING 3

 1.6. WARRANTY 3

PART 2 PRODUCTS 4

 2.1. MANUFACTURED UNITS 4

 2.2. FABRICATION 4

PART 3 EXECUTION 5

 3.1. EXAMINATION 5

 3.2. INSTALLATION 5

 3.3. FIELD QUALITY CONTROL 6

 3.4. CLEANING 6

 3.5. PROTECTING INSTALLED CONSTRUCTION 6

WINDOW TYPE AND CLASSIFICATIONS 7

ENERGY STAR 8

THERMAL RESULTS 10

 LOW FIXED PICTURE WINDOW 10

 HIGH FIXED PICTURE WINDOW 12

 DIRECT SET PICTURE WINDOW 14

CROSS SECTIONS 16

 LOW FIXED PICTURE WINDOW 16

 HIGH FIXED PICTURE WINDOW 17

 DIRECT SET PICTURE WINDOW 18

 MULLING ASSEMBLY 19

 GRILL + SDL OPTIONS 20

TEST REPORTS 21

CONSTRUCTIONS SPECIFICATIONS - SECTION 08 54 00

PART 1 GENERAL

SECTION INCLUDES

- A. Series 100 Vinyl Picture Low Fixed Window complete with glazing, mulling options, weather strip, grilles-between-the-glass, jamb extension, exterior brickmould trims, exterior sill extension and standard or specified anchors, trim and attachments
- B. Series 100 Vinyl Picture High Fixed Window complete with glazing, mulling options, weather strip, grilles-between-the-glass, jamb extension, exterior brickmould trims, exterior sill extension and standard or specified anchors, trim and attachments
- C. Series 100 Vinyl Picture Direct Set Window complete with glazing, mulling options, weather strip, grilles-between-the-glass, jamb extension, exterior brickmould trims, exterior sill extension and standard or specified anchors, trim and attachments

REFERENCES

- A. ASTM International (ASTM)
 - 1. American Society for Testing and Materials (ASTM):
 - 2. C1036: Standard Specification for Flat Glass.
 - 3. E 283: Standard Test Method for Rate of Air Leakage through Exterior Windows, Curtain Walls and Doors.
 - 4. E 330: Standard Test Method for Structural Performance of Exterior Windows, Curtain Walls, and Door by Uniform Static Air Pressure Difference.
 - 5. E 547: Standard Test Method for Water Penetration of Exterior Windows, Curtain Walls, and Doors by Cyclic Static Air Pressure Differential.
 - 6. E 2190: Standard Specification for Insulating Glass Unit Performance Evaluation.
 - 7. F 2090-10: Standard Specification for Window Fall Prevention Devices with Emergency Escape (Egress) Release Mechanisms.
- D. American Architectural Manufacturer's Association/Window and Door Manufacturer's Association/Canadian Standards Association (AAMA/WDMA/CSA): (use appropriate specifications depending on certification for each product type).
- E. AAMA/WDMA/CSA 101/I.S.2/A440-08/11,S11-09: North American Fenestration Standard/Specification for windows, doors, and skylights.
- F. AAMA 450-10: Voluntary Performance Rating Method for Muller Fenestration Assemblies
- G. Window and Door Manufacturer's Association (WDMA): Keystone Certification Program
- H. Insulating Glass Manufacturer's Alliance/Insulating Glass Certification Council (IGMA/IGCC).
- I. National Fenestration Rating Council (NFRC):

1. 101: Procedures for Determining Fenestration Product Thermal Properties.
2. 200: Procedure for Determining Solar Heat Gain Coefficients at Normal Incidence

SUBMITTALS

- A. Shop Drawings: Submit shop drawings.
- B. Samples: Specified performance and design requirements.
- C. Quality Control Submittals: Certificates: Submit manufacturer's certification indicating compliance with specified performance and design requirement

QUALITY ASSURANCE

- A. Requirements: consult local code for NBC [National Building Code] adoption year and pertinent revisions for information on:
- B. Egress, emergency escape and rescue requirements.
- C. Basement window requirements.
- D. Windows fall prevention and/or window opening control device requirements.

STORAGE AND HANDLING

- A. Applicable frames and mulled units will include additional bracing to maintain squareness and rigidity during shipment.
- B. Store window units in an upright position in a clean and dry storage area above ground to protect from weather.

WARRANTY

The following limited warranty is subject to conditions and exclusions. There are certain conditions or applications over which EVERLAST Group of Companies has no control. Defect or problems as a result of such conditions or applications are not the responsibility of EVERLAST Groups of Companies. For a more complete description of the EVERLAST limited warranty, refer to the complete and current warranty information available by request.

Clear insulating glass with stainless steel spacers is warranted against seal failure caused by manufacturing defects and resulting in visible obstruction through the glass for twenty (20) years from the original date of purchase. Glass is warranted against stress cracks caused by manufacturing defects for ten (10) years from the original date of purchase.

Hardware and other non-glass components are warranted to be free from manufacturing defects for two (2) years from the original date of purchase.

PART 2 PRODUCTS

2.1. MANUFACTURED UNITS

- A. Description: Altitude Picture Fixed units as manufactured by EVERLAST Group of Companies
- Calgary, Alberta, Canada

2.2. FABRICATION

A. Frame:

1. Frame – Vinyl: members shall be manufactured from .079" [2mm] extruded unplasticized polyvinylchloride (uPVC). Frame corners shall be fusion welded and cleaned.
2. Frame Depth – Vinyl: Frame shall have standard jamb depth of 2-1/4" [57.15mm] with integral nailing fin and an overall profile thickness of 3-1/4" [83mm].
3. Interior and exterior frame expander accessory is factory installed.
4. Interior and exterior fabricated frame expander components, including head-jamb, sill and both jamb components.

B. GLAZING

1. Select quality complying with ASTM C 1036. Insulating glass SIGMA/IGCC when tested in accordance with ASTM E 2190. STC/OITC ratings are tested to the stated performance level in accordance with ASTM E 90-09.
2. Glazing Method: 7/8" (22mm), 1" (25.4mm) and 1 1/4" (31.75mm) insulating glass. Dual and Triple glazing.
3. Glass Type: LoE Cardinal IG® i89, 180, 270, 272 and 366 with Air or Argon Gas.
4. Glass Type Options: Obscure Glass, Sand Blasted, Rain Glass, Glue Chip, Narrow Reed, Reed, Bronze Tint, Gray Tint, Green Tint.
5. Glazing Seal: Silicone bead at exterior; interior has glazing boot inserted.
6. Perimeter Spacer: Default color is mill finish (stainless).
7. Glazing Option: STC/OITC upgrade.

C. MULLING

1. Directional mull limits: 6 wide by 1 unit high; Rough Opening not to exceed 114" x 84" (2896mm x 2134mm).
2. Directional mull limits: 5 units wide by 5 units high; Rough Opening not to exceed 96" x 84" (2438mm x 2134mm).

D. FINISH

1. Exterior: Aluminum clad. Duracron topcoat applied over primer. Meets or exceeds AAMA 2605 requirements.
2. Interior: Aluminum clad. Duracron topcoat applied over primer. Meets or exceeds AAMA 2605 requirements.
3. Colour: Various colours available, contact an Everlast representative for more details.

E. WEATHER STRIP

1. Primary weather strip is an extruded bulb attached to all four sides of the glazing tower by a kerf and provides seal between frame and insulated sealed unit..
2. Standard weather strip color: black.

F. JAMB EXTENSION

1. Standard: factory-installed jamb extension; various sizes and finishes available.

G. GRILLES-BETWEEN-THE-GLASS

1. Manufactured from aluminum profile placed between the two panes of glass.
 - a) Interior Colours : Various colours, including split finishes are available.
 - b) Exterior Colours: Various colours, including split finishes are available.
 - c) Profiles: Various profile shapes are available, contact an Everlast representative.
 - d) Pattern: Various patterns are available, contact an Everlast representative.

H. SIMULATED DIVIDED LITES (SDL)

- a) Size: 1" (25mm) wide, 2" (50mm) wide with or w/out internal spacer bar; w/out is standard.
- b) Colours: Various standard and custom colours available, contact an EVERLAST representative.

I. ACCESSORIES AND TRIM

1. Exterior Casing:
2. Offset brickmould available in standard and custom colors.
3. Installation Accessories:
4. Factory-installed aluminum nailing fin at head, sill and side jambs.
5. Installation brackets
6. Mullion kit: standard mullion kit for filed assembly of related units available. Kit includes: Instruction, interior and exterior mull covers and brackets.

PART 3 EXECUTION

EXAMINATION

- A. Verification of Condition: Before installation, verify openings are plumb, square and of proper dimensions. Report frame defects or unsuitable conditions to the General Contractor and/or Everlast directly before proceeding. Damages or defects must be reported within 72 hours of receipt of finished goods.
- B. Acceptance of Condition: Beginning installation or no notification within the 72 hours confirms acceptance of existing conditions.

INSTALLATION

- A. Assemble and install window/door unit(s) according to manufacturer's instruction and reviewed shop drawing.

- B. Install sealant and related backing materials at perimeter of unit or assembly in accordance to reviewed shop drawings.
- C. Install accessory items as required.

FIELD QUALITY CONTROL

- A. Remove visible labels and adhesive residue according to manufacturers' instruction
- B. Unless otherwise specified, water penetration resistance testing shall be conducted per AAMA 502 and ASTM E1105 at 2/3 of the fenestration products design pressure (DP) rating. Water penetration shall be defined in accordance with the test method(s) applied.

CLEANING

- A. Remove visible labels and adhesive residue according to manufacturer's instruction.
- B. Leave windows and glass in a clean condition.

PROTECTING INSTALLED CONSTRUCTION

- A. Protecting windows from damage by chemicals, solvents, paint or other construction operations that may cause damage.

END OF SECTION

WINDOW TYPE AND CLASSIFICATIONS

Design Performance Classifications

Product	Air Tested (psf)	Water Tested (Pa)	Design Pressure (Pa / psf)		Cert. Rating	Test Size			
						Max Overall Width		Max Overall Height	
						in	mm	in	mm
Low Picture (LFP)	FIXED	730	2880/ -2880	60	CW-PG60	78	1981	72	1828
High Picture (HFP)	FIXED	730	4080/ -4080	85	CW-PG85	78	1980	72	1830
Direct Set (DSP)	FIXED	730	2880/ -2880	60	CW-PG60	78	1981	72	1828

ENERGY STAR

ENERGY STAR® Program - Canada

This technical specification determines how residential windows, doors, and skylights sold in Canada are certified for the ENERGY

STAR® program. This specification is issued by Natural Resources Canada (NRCan). NRCan has been authorized by the U.S. Environmental Protection Agency (EPA) to promote and administer the ENERGY STAR name and symbol in Canada. A product must meet this specification in order to be promoted as ENERGY STAR certified in Canada by its manufacturer or authorized agent. Manufacturers must also sign a Fenestration Administrative Arrangement with NRCan.

Performance metrics

U-Factor: The heat transfer per time per area and per degree of temperature difference in $W/m^2 \cdot K$ ($Btu/h \text{ ft}^2 \cdot ^\circ F$). The U-factor multiplied by the interior-exterior temperature difference and by the projected fenestration product area yields the total heat transfer

through the fenestration product due to conduction, convection, and long-wave infra-red radiation. A U-factor in $Btu/h \text{ ft}^2 \cdot ^\circ F$ multiplied by 5.678263 converts the value to $W/m^2 \cdot K$. The U-factor in $Btu/h \text{ ft}^2 \cdot ^\circ F$ shall conform with Table 1 before the conversion to $W/m^2 \cdot K$.

Solar heat gain coefficient (SHGC): The ratio of the solar heat gain entering the space through the fenestration product to the incident solar radiation.

Air leakage: the flow of air that passes through fenestration products in $L/s/m^2$. Air leakage infiltration is the flow of air into the building envelope and exfiltration is the flow of air out of the building envelope. An air leakage in cfm/ft^2 multiplied by 5.08 converts the value to $L/s/m^2$. The air leakage value in cfm/ft^2 shall conform with Table 1 before the conversion to $L/s/m^2$.

Energy rating (ER): a unitless value derived from a formula that balances heat loss (U-factor), air leakage loss and potential passive solar gain of a fenestration product. The ER is applied to fenestration systems intended to be installed in a vertical orientation in low-rise residential buildings. The simplified ER equation is as follows:

$$ER = (57.76 \times SHGC_w) - (21.90 \times U_w) - (1.97 \times L_{75}) + 40 \text{ where}$$

- $SHGC_w$ = fenestration system solar heat gain coefficient
- U_w = fenestration system U-factor (W/m^2)
- L_{75} = fenestration system air leakage rate at a pressure difference of 75 Pa, established in accordance with AAMA/WDMA/CSA 101/I.S.2/A440 (North American Fenestration Standard) in $L/s \cdot m^2$. The L_{75} shall be the average of the infiltration and exfiltration measurements.

A complete explanation of the ER equation may be found in the CSA A440.2 Standard.

U-factor Criteria for Residential Windows and Doors

Product	Maximum U-factor W/m ² ·K	Maximum U-factor Btu/h·ft ² ·°F
Windows and Doors	1.22	0.21

Alternate ER Criteria for Residential Windows and Doors

Product	Minimum ER (unitless)
Windows and Doors	34

U-factor Criteria for Unit Skylights

Product	Maximum U-factor W/m ² ·K	Maximum U-factor Btu/h·ft ² ·°F
Skylights	2.29	0.4

THERMAL RESULTS

LOW FIXED PICTURE WINDOW

Mfr Product Code	Product Number	Gap 1 (in)	Gap 2 (in)	Gap Fill 1	Gap Fill 2	Emissivity Surface 2	Emissivity Surface 3	Emissivity Surface 4	Emissivity Surface 5	Emissivity Surface 6	Tint	Spacer	Grid Type	Grid Size	U-Factor (Btu/h ² °F)	SHGC	VT	*CR
CCI-arg97-180 3-3, ga	0001	0.65		ARG			0.068				CL	SP-D	N		0.27	0.59	0.68	61
CCI-arg97-180 3-3, ga, Rectangular		0.65		ARG			0.068				CL	SP-D	G 0.75		0.27	0.54	0.61	61
CCI-arg97-180 4-4, ga	0002	0.57		ARG			0.068				CL	SP-D	N		0.27	0.58	0.68	60
CCI-arg97-180 4-4, ga, Rectangular		0.57		ARG			0.068				CL	SP-D	G 0.75		0.27	0.52	0.61	60
CCI-arg97-180 5-5, ga	0003	0.49		ARG			0.068				CL	SP-D	N		0.27	0.57	0.67	59
CCI-arg97-180 5-5, ga, Rectangular		0.49		ARG			0.068				CL	SP-D	G 0.75		0.27	0.51	0.60	59
270-arg97-CCI 3-3, ga	0004	0.65		ARG		0.035					CL	SP-D	N		0.26	0.32	0.60	61
270-arg97-CCI 3-3, ga, Rectangular		0.65		ARG		0.035					CL	SP-D	G 0.75		0.26	0.29	0.54	61
270-arg97-CCI 4-4, ga	0005	0.57		ARG		0.035					CL	SP-D	N		0.26	0.31	0.60	60
270-arg97-CCI 4-4, ga, Rectangular		0.57		ARG		0.035					CL	SP-D	G 0.75		0.26	0.28	0.53	60
270-arg97-CCI 5-5, ga	0006	0.49		ARG		0.035					CL	SP-D	N		0.26	0.31	0.59	59
270-arg97-CCI 5-5, ga, Rectangular		0.49		ARG		0.035					CL	SP-D	G 0.75		0.26	0.28	0.53	59
366-arg97-CCI 3-3, ga	0007	0.65		ARG		0.020					CL	SP-D	N		0.26	0.23	0.56	62
366-arg97-CCI 3-3, ga, Rectangular		0.65		ARG		0.020					CL	SP-D	G 0.75		0.26	0.21	0.50	62
366-arg97-CCI 4-4, ga	0008	0.57		ARG		0.020					CL	SP-D	N		0.26	0.24	0.55	61
366-arg97-CCI 4-4, ga, Rectangular		0.57		ARG		0.020					CL	SP-D	G 0.75		0.26	0.21	0.50	61
366-arg97-CCI 5-5, ga	0009	0.49		ARG		0.020					CL	SP-D	N		0.25	0.24	0.55	60
366-arg97-CCI 5-5, ga, Rectangular		0.49		ARG		0.020					CL	SP-D	G 0.75		0.25	0.21	0.49	60
180-arg97-i89 3-3, ga	0010	0.65		ARG		0.068		0.149			CL	SP-D	N		0.22	0.54	0.67	48
180-arg97-i89 3-3, ga, Rectangular		0.65		ARG		0.068		0.149			CL	SP-D	G 0.75		0.22	0.49	0.60	48
180-arg97-i89 4-4, ga	0011	0.57		ARG		0.068		0.149			CL	SP-D	N		0.22	0.52	0.66	47
180-arg97-i89 4-4, ga, Rectangular		0.57		ARG		0.068		0.149			CL	SP-D	G 0.75		0.22	0.47	0.59	47
180-arg97-CCI-arg97-CCI 3-3-3, ga	0012	0.45	0.45	ARG	ARG	0.068					CL	SP-D	N		0.21	0.51	0.63	68
180-arg97-CCI-arg97-CCI 3-3-3, ga, Rectangular	0013	0.45	0.45	ARG	ARG	0.068					CL	SP-D	G 0.75		0.22	0.46	0.56	68
270-arg97-CCI-arg97-180 3-3-3, ga	0014	0.45	0.45	ARG	ARG	0.035			0.068		CL	SP-D	N		0.16	0.29	0.53	75
270-arg97-CCI-arg97-180 3-3-3, ga, Rectangular	0015	0.45	0.45	ARG	ARG	0.035			0.068		CL	SP-D	G 0.75		0.16	0.26	0.48	75
270-arg97-CCI-arg97-CCI 3-3-3, ga	0016	0.45	0.45	ARG	ARG	0.035					CL	SP-D	N		0.20	0.29	0.55	69
270-arg97-CCI-arg97-CCI 3-3-3, ga, Rectangular	0017	0.45	0.45	ARG	ARG	0.035					CL	SP-D	G 0.75		0.21	0.27	0.49	69
270-arg97-CCI-arg97-270 3-3-3, ga	0018	0.45	0.45	ARG	ARG	0.035			0.035		CL	SP-D	N		0.15	0.27	0.47	75
270-arg97-CCI-arg97-270 3-3-3, ga, Rectangular	0019	0.45	0.45	ARG	ARG	0.035			0.035		CL	SP-D	G 0.75		0.16	0.25	0.42	75
366-arg97-CCI-arg97-CCI 3-3-3, ga	0020	0.45	0.45	ARG	ARG	0.020					CL	SP-D	N		0.20	0.22	0.51	69

Mfr Product Code	Product Number	Gap 1 (in)	Gap 2 (in)	Gap Fill 1	Gap Fill 2	Emissivity Surface 2	Emissivity Surface 3	Emissivity Surface 4	Emissivity Surface 5	Emissivity Surface 6	Tint	Spacer	Grid Type	Grid Size	U-Factor (Btu/h-ft ² -F)	SHGC	VT	*CR
366-arg97-CCI-arg97-CCI 3-3-3, ga, Rectangular	0021	0.45	0.45	ARG	ARG	0.020					CL	SP-D	G	0.75	0.21	0.20	0.46	69
366-arg97-CCI-arg97-366 3-3-3, ga	0022	0.45	0.45	ARG	ARG	0.020		0.020			CL	SP-D	N		0.15	0.21	0.40	76
366-arg97-CCI-arg97-366 3-3-3, ga, Rectangular	0023	0.45	0.45	ARG	ARG	0.020		0.020			CL	SP-D	G	0.75	0.15	0.19	0.36	76
VCI-arg97-SG400 3-3, ga	0024	0.65		ARG			0.113				CL	SP-D	N		0.29	0.59	0.68	60
VCI-arg97-SG400 3-3, ga, Rectangular		0.65		ARG			0.113				CL	SP-D	G	0.75	0.29	0.53	0.61	60
VCI-arg97-SG400 4-4, ga	0025	0.57		ARG			0.113				CL	SP-D	N		0.29	0.58	0.67	59
VCI-arg97-SG400 4-4, ga, Rectangular		0.57		ARG			0.113				CL	SP-D	G	0.75	0.29	0.52	0.60	59
VCI-arg97-SG400 5-5, ga	0026	0.49		ARG			0.113				CL	SP-D	N		0.28	0.56	0.66	58
VCI-arg97-SG400 5-5, ga, Rectangular		0.49		ARG			0.113				CL	SP-D	G	0.75	0.28	0.51	0.60	58
CCI-arg97-180 3-3, im	0027	0.65		ARG			0.068				CL	TS-D	N		0.28	0.59	0.68	59
CCI-arg97-180 3-3, im, Rectangular		0.65		ARG			0.068				CL	TS-D	G	0.75	0.28	0.54	0.61	59
CCI-arg97-180 4-4, im	0028	0.56		ARG			0.068				CL	TS-D	N		0.27	0.58	0.68	58
CCI-arg97-180 4-4, im, Rectangular		0.56		ARG			0.068				CL	TS-D	G	0.75	0.27	0.52	0.61	58
CCI-arg97-180 5-5, im	0029	0.48		ARG			0.068				CL	TS-D	N		0.27	0.57	0.67	57
CCI-arg97-180 5-5, im, Rectangular		0.48		ARG			0.068				CL	TS-D	G	0.75	0.27	0.51	0.60	57
270-arg97-CCI 3-3, im	0030	0.65		ARG		0.035					CL	TS-D	N		0.27	0.32	0.60	60
270-arg97-CCI 3-3, im, Rectangular		0.65		ARG		0.035					CL	TS-D	G	0.75	0.27	0.29	0.54	60
270-arg97-CCI 4-4, im	0031	0.56		ARG		0.035					CL	TS-D	N		0.26	0.31	0.60	59
270-arg97-CCI 4-4, im, Rectangular		0.56		ARG		0.035					CL	TS-D	G	0.75	0.26	0.28	0.53	59
270-arg97-CCI 5-5, im	0032	0.48		ARG		0.035					CL	TS-D	N		0.26	0.31	0.59	57
270-arg97-CCI 5-5, im, Rectangular		0.48		ARG		0.035					CL	TS-D	G	0.75	0.26	0.28	0.53	57
366-arg97-CCI 3-3, im	0033	0.65		ARG		0.020					CL	TS-D	N		0.26	0.23	0.56	60
366-arg97-CCI 3-3, im, Rectangular		0.65		ARG		0.020					CL	TS-D	G	0.75	0.26	0.21	0.50	60
366-arg97-CCI 4-4, im	0034	0.56		ARG		0.020					CL	TS-D	N		0.26	0.24	0.55	59
366-arg97-CCI 4-4, im, Rectangular		0.56		ARG		0.020					CL	TS-D	G	0.75	0.26	0.21	0.50	59
366-arg97-CCI 5-5, im	0035	0.48		ARG		0.020					CL	TS-D	N		0.26	0.24	0.55	58
366-arg97-CCI 5-5, im, Rectangular		0.48		ARG		0.020					CL	TS-D	G	0.75	0.26	0.21	0.49	58
180-arg97-i89 3-3, im	0036	0.65		ARG		0.068	0.149				CL	TS-D	N		0.23	0.54	0.67	47
180-arg97-i89 3-3, im, Rectangular		0.65		ARG		0.068	0.149				CL	TS-D	G	0.75	0.23	0.49	0.60	47
180-arg97-i89 4-4, im	0037	0.56		ARG		0.068	0.149				CL	TS-D	N		0.23	0.52	0.66	45
180-arg97-i89 4-4, im, Rectangular		0.56		ARG		0.068	0.149				CL	TS-D	G	0.75	0.23	0.47	0.59	45
180-arg97-CCI-arg97-CCI 3-3-3, im	0038	0.46	0.46	ARG	ARG	0.068					CL	TS-D	N		0.21	0.51	0.63	67
180-arg97-CCI-arg97-CCI 3-3-3, im, Rectangular	0039	0.46	0.46	ARG	ARG	0.068					CL	TS-D	G	0.75	0.22	0.46	0.56	67
270-arg97-CCI-arg97-180 3-3-3, im	0040	0.46	0.46	ARG	ARG	0.035		0.068			CL	TS-D	N		0.16	0.29	0.53	73
270-arg97-CCI-arg97-180 3-3-3, im, Rectangular	0041	0.46	0.46	ARG	ARG	0.035		0.068			CL	TS-D	G	0.75	0.16	0.26	0.48	73
270-arg97-CCI-arg97-CCI 3-3-3, im	0042	0.46	0.46	ARG	ARG	0.035					CL	TS-D	N		0.21	0.29	0.55	67
270-arg97-CCI-arg97-CCI 3-3-3, im, Rectangular	0043	0.46	0.46	ARG	ARG	0.035					CL	TS-D	G	0.75	0.21	0.27	0.49	67
270-arg97-CCI-arg97-270 3-3-3, im	0044	0.46	0.46	ARG	ARG	0.035		0.035			CL	TS-D	N		0.16	0.27	0.47	73
270-arg97-CCI-arg97-270 3-3-3, im, Rectangular	0045	0.46	0.46	ARG	ARG	0.035		0.035			CL	TS-D	G	0.75	0.16	0.25	0.42	73
366-arg97-CCI-arg97-CCI 3-3-3, im	0046	0.46	0.46	ARG	ARG	0.020					CL	TS-D	N		0.20	0.22	0.51	68
366-arg97-CCI-arg97-CCI 3-3-3, im, Rectangular	0047	0.46	0.46	ARG	ARG	0.020					CL	TS-D	G	0.75	0.21	0.20	0.46	68
366-arg97-CCI-arg97-366 3-3-3, im	0048	0.46	0.46	ARG	ARG	0.020		0.020			CL	TS-D	N		0.15	0.21	0.40	73
366-arg97-CCI-arg97-366 3-3-3, im, Rectangular	0049	0.46	0.46	ARG	ARG	0.020		0.020			CL	TS-D	G	0.75	0.16	0.19	0.36	73
VCI-arg97-SG400 3-3, im	0050	0.65		ARG			0.113				CL	TS-D	N		0.29	0.59	0.68	58

HIGH FIXED PICTURE WINDOW

Mfr Product Code	Product Number	Gap 1 (in)	Gap 2 (in)	Gap Fill 1	Gap Fill 2	Emissivity Surface 2	Emissivity Surface 3	Emissivity Surface 4	Emissivity Surface 5	Emissivity Surface 6	Tint	Spacer	Grid Type	Grid Size	U-Factor (Btu/h*Ft²)	SHGC	VT	*CR
270-arg97-CCI 3-3, ga	0001	0.65		ARG		0.035					CL	SP-D	N		0.27	0.29	0.54	61
270-arg97-CCI 3-3, ga, Rectangular		0.65		ARG		0.035					CL	SP-D	G	0.75	0.27	0.26	0.49	61
270-arg97-CCI 4-4, ga	0002	0.57		ARG		0.035					CL	SP-D	N		0.27	0.28	0.54	60
270-arg97-CCI 4-4, ga, Rectangular		0.57		ARG		0.035					CL	SP-D	G	0.75	0.27	0.26	0.48	60
270-arg97-CCI 5-5, ga	0003	0.49		ARG		0.035					CL	SP-D	N		0.26	0.28	0.53	59
270-arg97-CCI 5-5, ga, Rectangular		0.49		ARG		0.035					CL	SP-D	G	0.75	0.26	0.26	0.47	59
366-arg97-CCI 3-3, ga	0004	0.65		ARG		0.020					CL	SP-D	N		0.26	0.21	0.50	61
366-arg97-CCI 3-3, ga, Rectangular		0.65		ARG		0.020					CL	SP-D	G	0.75	0.26	0.19	0.45	61
366-arg97-CCI 4-4, ga	0005	0.57		ARG		0.020					CL	SP-D	N		0.26	0.21	0.50	60
366-arg97-CCI 4-4, ga, Rectangular		0.57		ARG		0.020					CL	SP-D	G	0.75	0.26	0.19	0.45	60
366-arg97-CCI 5-5, ga	0006	0.49		ARG		0.020					CL	SP-D	N		0.26	0.22	0.50	59
366-arg97-CCI 5-5, ga, Rectangular		0.49		ARG		0.020					CL	SP-D	G	0.75	0.26	0.19	0.44	59
180-arg97-i89 3-3, ga	0007	0.65		ARG		0.068		0.149			CL	SP-D	N		0.23	0.49	0.60	47
180-arg97-i89 3-3, ga, Rectangular		0.65		ARG		0.068		0.149			CL	SP-D	G	0.75	0.23	0.44	0.54	47
180-arg97-i89 4-4, ga	0008	0.57		ARG		0.068		0.149			CL	SP-D	N		0.23	0.48	0.60	46
180-arg97-i89 4-4, ga, Rectangular		0.57		ARG		0.068		0.149			CL	SP-D	G	0.75	0.23	0.43	0.53	46
270-arg97-CCI-arg97-CCI 3-3-3, ga	0009	0.45	0.45	ARG	ARG	0.035					CL	SP-D	N		0.21	0.27	0.50	68
270-arg97-CCI-arg97-CCI 3-3-3, ga, Rectangular	0010	0.45	0.45	ARG	ARG	0.035					CL	SP-D	G	0.75	0.22	0.24	0.44	68
270-arg97-CCI-arg97-270 3-3-3, ga	0011	0.45	0.45	ARG	ARG	0.035			0.035		CL	SP-D	N		0.17	0.25	0.42	74
270-arg97-CCI-arg97-270 3-3-3, ga, Rectangular	0012	0.45	0.45	ARG	ARG	0.035			0.035		CL	SP-D	G	0.75	0.17	0.22	0.38	74
VCI-arg97-SG400 3-3, ga	0013	0.65		ARG			0.113				CL	SP-D	N		0.29	0.53	0.61	59
VCI-arg97-SG400 3-3, ga, Rectangular		0.65		ARG			0.113				CL	SP-D	G	0.75	0.29	0.48	0.54	59
VCI-arg97-SG400 4-4, ga	0014	0.57		ARG			0.113				CL	SP-D	N		0.29	0.52	0.61	58
VCI-arg97-SG400 4-4, ga, Rectangular		0.57		ARG			0.113				CL	SP-D	G	0.75	0.29	0.47	0.54	58
VCI-arg97-SG400 5-5, ga	0015	0.49		ARG			0.113				CL	SP-D	N		0.28	0.51	0.60	57
VCI-arg97-SG400 5-5, ga, Rectangular		0.49		ARG			0.113				CL	SP-D	G	0.75	0.28	0.46	0.53	57
270-arg97-CCI 3-3, im	0016	0.65		ARG		0.035					CL	TS-D	N		0.27	0.29	0.54	59
270-arg97-CCI 3-3, im, Rectangular		0.65		ARG		0.035					CL	TS-D	G	0.75	0.27	0.26	0.49	59
270-arg97-CCI 4-4, im	0017	0.56		ARG		0.035					CL	TS-D	N		0.27	0.28	0.54	58
270-arg97-CCI 4-4, im, Rectangular		0.56		ARG		0.035					CL	TS-D	G	0.75	0.27	0.26	0.48	58
270-arg97-CCI 5-5, im	0018	0.48		ARG		0.035					CL	TS-D	N		0.27	0.28	0.53	57

Mfr Product Code	Product Number	Gap 1 (in)	Gap 2 (in)	Gap Fill 1	Gap Fill 2	Emissivity Surface 2	Emissivity Surface 3	Emissivity Surface 4	Emissivity Surface 5	Emissivity Surface 6	Tint	Spacer	Grid Type	Grid Size	U-Factor (Btu/h*ft²F)	SHGC	VT	*CR
270-arg97-CCI 5-5 , im, Rectangular		0.48		ARG		0.035					CL	TS-D	G	0.75	0.27	0.26	0.47	57
366-arg97-CCI 3-3 , im	0019	0.65		ARG		0.020					CL	TS-D	N		0.27	0.21	0.50	60
366-arg97-CCI 3-3 , im, Rectangular		0.65		ARG		0.020					CL	TS-D	G	0.75	0.27	0.19	0.45	60
366-arg97-CCI 4-4 , im	0020	0.56		ARG		0.020					CL	TS-D	N		0.26	0.21	0.50	58
366-arg97-CCI 4-4 , im, Rectangular		0.56		ARG		0.020					CL	TS-D	G	0.75	0.26	0.19	0.45	58
366-arg97-CCI 5-5 , im	0021	0.48		ARG		0.020					CL	TS-D	N		0.26	0.22	0.50	57
366-arg97-CCI 5-5 , im, Rectangular		0.48		ARG		0.020					CL	TS-D	G	0.75	0.26	0.20	0.44	57
180-arg97-i89 3-3 , im	0022	0.65		ARG		0.068		0.149			CL	TS-D	N		0.24	0.49	0.60	46
180-arg97-i89 3-3 , im, Rectangular		0.65		ARG		0.068		0.149			CL	TS-D	G	0.75	0.24	0.44	0.54	46
180-arg97-i89 4-4 , im	0023	0.56		ARG		0.068		0.149			CL	TS-D	N		0.23	0.48	0.60	45
180-arg97-i89 4-4 , im, Rectangular		0.56		ARG		0.068		0.149			CL	TS-D	G	0.75	0.23	0.43	0.53	45
270-arg97-CCI-arg97-CCI 3-3-3 , im	0024	0.46	0.46	ARG	ARG	0.035					CL	TS-D	N		0.22	0.27	0.50	66
270-arg97-CCI-arg97-CCI 3-3-3 , im, Rectangular	0025	0.46	0.46	ARG	ARG	0.035					CL	TS-D	G	0.75	0.22	0.24	0.44	66
270-arg97-CCI-arg97-270 3-3-3 , im	0026	0.46	0.46	ARG	ARG	0.035			0.035		CL	TS-D	N		0.17	0.25	0.42	72
270-arg97-CCI-arg97-270 3-3-3 , im, Rectangular	0027	0.46	0.46	ARG	ARG	0.035			0.035		CL	TS-D	G	0.75	0.17	0.22	0.38	72
VCI-arg97-SG400 3-3 , im	0028	0.65		ARG			0.113				CL	TS-D	N		0.29	0.53	0.61	58
VCI-arg97-SG400 3-3 , im, Rectangular		0.65		ARG			0.113				CL	TS-D	G	0.75	0.29	0.48	0.54	58
VCI-arg97-SG400 4-4 , im	0029	0.56		ARG			0.113				CL	TS-D	N		0.29	0.52	0.61	56
VCI-arg97-SG400 4-4 , im, Rectangular		0.56		ARG			0.113				CL	TS-D	G	0.75	0.29	0.47	0.54	56
VCI-arg97-SG400 5-5 , im	0030	0.48		ARG			0.113				CL	TS-D	N		0.29	0.51	0.60	55
VCI-arg97-SG400 5-5 , im, Rectangular		0.48		ARG			0.113				CL	TS-D	G	0.75	0.29	0.46	0.53	55

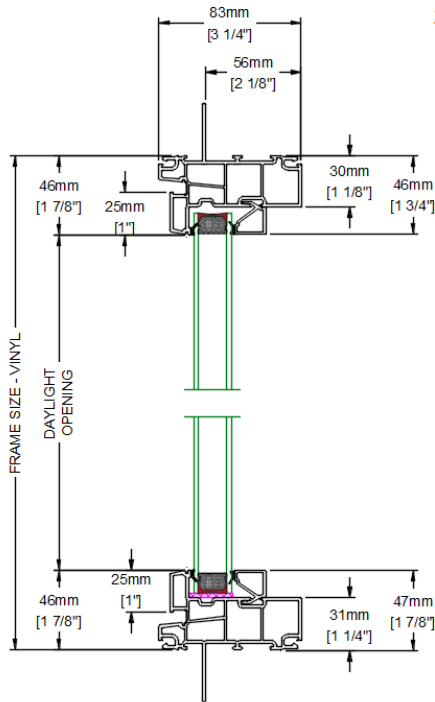
DIRECT SET PICTURE WINDOW

Mfr Product Code	Product Number	Gap 1 (in)	Gap 2 (in)	Gap Fill 1	Gap Fill 2	Gap Fill 3	Emissivity Surface 2	Emissivity Surface 3	Emissivity Surface 4	Emissivity Surface 5	Emissivity Surface 6	Tint	Spacer	Grid Type	Grid Size	U-Factor (Btu/h*ft²F)	SHGC	VT	*CR
CCI-arg97-180 3-3, ga	0001	0.65		ARG			0.068					CL	SP-D	N		0.27	0.57	0.65	62
CCI-arg97-180 3-3, ga, Rectangular		0.65		ARG			0.068					CL	SP-D	G	0.75	0.27	0.51	0.58	62
CCI-arg97-180 4-4, ga	0002	0.57		ARG			0.068					CL	SP-D	N		0.27	0.55	0.65	61
CCI-arg97-180 4-4, ga, Rectangular		0.57		ARG			0.068					CL	SP-D	G	0.75	0.27	0.50	0.58	61
CCI-arg97-180 5-5, ga	0003	0.49		ARG			0.068					CL	SP-D	N		0.27	0.54	0.64	60
CCI-arg97-180 5-5, ga, Rectangular		0.49		ARG			0.068					CL	SP-D	G	0.75	0.27	0.49	0.57	60
270-arg97-CCI 3-3, ga	0004	0.65		ARG		0.035						CL	SP-D	N		0.26	0.30	0.58	63
270-arg97-CCI 3-3, ga, Rectangular		0.65		ARG		0.035						CL	SP-D	G	0.75	0.26	0.27	0.52	63
270-arg97-CCI 4-4, ga	0005	0.57		ARG		0.035						CL	SP-D	N		0.26	0.30	0.57	62
270-arg97-CCI 4-4, ga, Rectangular		0.57		ARG		0.035						CL	SP-D	G	0.75	0.26	0.27	0.51	62
270-arg97-CCI 5-5, ga	0006	0.49		ARG		0.035						CL	SP-D	N		0.26	0.30	0.56	61
270-arg97-CCI 5-5, ga, Rectangular		0.49		ARG		0.035						CL	SP-D	G	0.75	0.26	0.27	0.50	61
366-arg97-CCI 3-3, ga	0007	0.65		ARG		0.020						CL	SP-D	N		0.26	0.22	0.53	63
366-arg97-CCI 3-3, ga, Rectangular		0.65		ARG		0.020						CL	SP-D	G	0.75	0.26	0.20	0.48	63
366-arg97-CCI 4-4, ga	0008	0.57		ARG		0.020						CL	SP-D	N		0.26	0.23	0.53	62
366-arg97-CCI 4-4, ga, Rectangular		0.57		ARG		0.020						CL	SP-D	G	0.75	0.26	0.20	0.47	62
366-arg97-CCI 5-5, ga	0009	0.49		ARG		0.020						CL	SP-D	N		0.25	0.23	0.52	61
366-arg97-CCI 5-5, ga, Rectangular		0.49		ARG		0.020						CL	SP-D	G	0.75	0.25	0.21	0.47	61
180-arg97-i89 3-3, ga	0010	0.65		ARG		0.068		0.149				CL	SP-D	N		0.23	0.52	0.64	49
180-arg97-i89 3-3, ga, Rectangular		0.65		ARG		0.068		0.149				CL	SP-D	G	0.75	0.23	0.47	0.57	49
180-arg97-i89 4-4, ga	0011	0.57		ARG		0.068		0.149				CL	SP-D	N		0.23	0.50	0.63	48
180-arg97-i89 4-4, ga, Rectangular		0.57		ARG		0.068		0.149				CL	SP-D	G	0.75	0.23	0.45	0.57	48
180-arg97-CCI-arg97-CCI 3-3-3, ga	0012	0.45	0.45	ARG	ARG	0.068						CL	SP-D	N		0.21	0.49	0.60	69
180-arg97-CCI-arg97-CCI 3-3-3, ga, Rectangular	0013	0.45	0.45	ARG	ARG	0.068						CL	SP-D	G	0.75	0.22	0.44	0.53	69
270-arg97-CCI-arg97-180 3-3-3, ga	0014	0.45	0.45	ARG	ARG	0.035			0.068			CL	SP-D	N		0.16	0.28	0.51	76
270-arg97-CCI-arg97-180 3-3-3, ga, Rectangular	0015	0.45	0.45	ARG	ARG	0.035			0.068			CL	SP-D	G	0.75	0.16	0.25	0.45	76
270-arg97-CCI-arg97-CCI 3-3-3, ga	0016	0.45	0.45	ARG	ARG	0.035						CL	SP-D	N		0.20	0.28	0.53	70
270-arg97-CCI-arg97-CCI 3-3-3, ga, Rectangular	0017	0.45	0.45	ARG	ARG	0.035						CL	SP-D	G	0.75	0.21	0.26	0.47	70
270-arg97-CCI-arg97-270 3-3-3, ga	0018	0.45	0.45	ARG	ARG	0.035			0.035			CL	SP-D	N		0.16	0.26	0.45	76
270-arg97-CCI-arg97-270 3-3-3, ga, Rectangular	0019	0.45	0.45	ARG	ARG	0.035			0.035			CL	SP-D	G	0.75	0.16	0.23	0.40	76
366-arg97-CCI-arg97-CCI 3-3-3, ga	0020	0.45	0.45	ARG	ARG	0.020						CL	SP-D	N		0.20	0.21	0.49	70

Mfr Product Code	Product Number	Gap 1 (in)	Gap 2 (in)	Gap Fill 1	Gap Fill 2	Emissivity Surface 2	Emissivity Surface 3	Emissivity Surface 4	Emissivity Surface 5	Emissivity Surface 6	Tint	Spacer	Grid Type	Grid Size	U-Factor (Btu/h*F ²)	SHGC	VT	*CR
366-arg97-CCI-arg97-CCI 3-3-3, ga, Rectangular	0021	0.45	0.45	ARG	ARG	0.020					CL	SP-D	G	0.75	0.21	0.19	0.44	70
366-arg97-CCI-arg97-366 3-3-3, ga	0022	0.45	0.45	ARG	ARG	0.020			0.020		CL	SP-D	N		0.15	0.20	0.38	76
366-arg97-CCI-arg97-366 3-3-3, ga, Rectangular	0023	0.45	0.45	ARG	ARG	0.020			0.020		CL	SP-D	G	0.75	0.16	0.18	0.34	76
VCI-arg97-SG400 3-3, ga	0024	0.65		ARG			0.113				CL	SP-D	N		0.29	0.56	0.65	61
VCI-arg97-SG400 3-3, Rectangular		0.65		ARG			0.113				CL	SP-D	G	0.75	0.29	0.51	0.58	61
VCI-arg97-SG400 4-4, ga	0025	0.57		ARG			0.113				CL	SP-D	N		0.29	0.55	0.64	60
VCI-arg97-SG400 4-4, ga, Rectangular		0.57		ARG			0.113				CL	SP-D	G	0.75	0.29	0.50	0.57	60
VCI-arg97-SG400 5-5, ga	0026	0.49		ARG			0.113				CL	SP-D	N		0.28	0.54	0.64	59
VCI-arg97-SG400 5-5, ga, Rectangular		0.49		ARG			0.113				CL	SP-D	G	0.75	0.28	0.49	0.57	59
CCI-arg97-180 3-3, im	0027	0.65		ARG			0.068				CL	TS-D	N		0.28	0.57	0.65	61
CCI-arg97-180 3-3, im, Rectangular		0.65		ARG			0.068				CL	TS-D	G	0.75	0.28	0.51	0.58	61
CCI-arg97-180 4-4, im	0028	0.56		ARG			0.068				CL	TS-D	N		0.27	0.55	0.65	60
CCI-arg97-180 4-4, im, Rectangular		0.56		ARG			0.068				CL	TS-D	G	0.75	0.27	0.50	0.58	60
CCI-arg97-180 5-5, im	0029	0.48		ARG			0.068				CL	TS-D	N		0.27	0.54	0.64	59
CCI-arg97-180 5-5, im, Rectangular		0.48		ARG			0.068				CL	TS-D	G	0.75	0.27	0.49	0.57	59
270-arg97-CCI 3-3, im	0030	0.65		ARG		0.035					CL	TS-D	N		0.27	0.30	0.58	62
270-arg97-CCI 3-3, im, Rectangular		0.65		ARG		0.035					CL	TS-D	G	0.75	0.27	0.27	0.52	62
270-arg97-CCI 4-4, im	0031	0.56		ARG		0.035					CL	TS-D	N		0.26	0.30	0.57	60
270-arg97-CCI 4-4, im, Rectangular		0.56		ARG		0.035					CL	TS-D	G	0.75	0.26	0.27	0.51	60
270-arg97-CCI 5-5, im	0032	0.48		ARG		0.035					CL	TS-D	N		0.26	0.30	0.56	59
270-arg97-CCI 5-5, im, Rectangular		0.48		ARG		0.035					CL	TS-D	G	0.75	0.26	0.27	0.50	59
366-arg97-CCI 3-3, im	0033	0.65		ARG		0.020					CL	TS-D	N		0.26	0.22	0.53	62
366-arg97-CCI 3-3, im, Rectangular		0.65		ARG		0.020					CL	TS-D	G	0.75	0.26	0.20	0.48	62
366-arg97-CCI 4-4, im	0034	0.56		ARG		0.020					CL	TS-D	N		0.26	0.23	0.53	61
366-arg97-CCI 4-4, im, Rectangular		0.56		ARG		0.020					CL	TS-D	G	0.75	0.26	0.20	0.47	61
366-arg97-CCI 5-5, im	0035	0.48		ARG		0.020					CL	TS-D	N		0.26	0.23	0.52	60
366-arg97-CCI 5-5, im, Rectangular		0.48		ARG		0.020					CL	TS-D	G	0.75	0.26	0.21	0.47	60
180-arg97-i89 3-3, im	0036	0.65		ARG		0.068	0.149				CL	TS-D	N		0.23	0.52	0.64	48
180-arg97-i89 3-3, im, Rectangular		0.65		ARG		0.068	0.149				CL	TS-D	G	0.75	0.23	0.47	0.57	48
180-arg97-i89 4-4, im	0037	0.56		ARG		0.068	0.149				CL	TS-D	N		0.23	0.50	0.63	47
180-arg97-i89 4-4, im, Rectangular		0.56		ARG		0.068	0.149				CL	TS-D	G	0.75	0.23	0.45	0.57	47
180-arg97-CCI-arg97-CCI 3-3-3, im	0038	0.46	0.46	ARG	ARG	0.068					CL	TS-D	N		0.21	0.49	0.60	68
180-arg97-CCI-arg97-CCI 3-3-3, im, Rectangular	0039	0.46	0.46	ARG	ARG	0.068					CL	TS-D	G	0.75	0.22	0.44	0.53	68
270-arg97-CCI-arg97-180 3-3-3, im	0040	0.46	0.46	ARG	ARG	0.035			0.068		CL	TS-D	N		0.16	0.27	0.51	74
270-arg97-CCI-arg97-180 3-3-3, im, Rectangular	0041	0.46	0.46	ARG	ARG	0.035			0.068		CL	TS-D	G	0.75	0.17	0.25	0.45	74
270-arg97-CCI-arg97-CCI 3-3-3, im	0042	0.46	0.46	ARG	ARG	0.035					CL	TS-D	N		0.21	0.28	0.53	68
270-arg97-CCI-arg97-CCI 3-3-3, im, Rectangular	0043	0.46	0.46	ARG	ARG	0.035					CL	TS-D	G	0.75	0.21	0.26	0.47	68
270-arg97-CCI-arg97-270 3-3-3, im	0044	0.46	0.46	ARG	ARG	0.035			0.035		CL	TS-D	N		0.16	0.26	0.45	74
270-arg97-CCI-arg97-270 3-3-3, im, Rectangular	0045	0.46	0.46	ARG	ARG	0.035			0.035		CL	TS-D	G	0.75	0.16	0.23	0.40	74
366-arg97-CCI-arg97-CCI 3-3-3, im	0046	0.46	0.46	ARG	ARG	0.020					CL	TS-D	N		0.20	0.21	0.49	69
366-arg97-CCI-arg97-CCI 3-3-3, im, Rectangular	0047	0.46	0.46	ARG	ARG	0.020					CL	TS-D	G	0.75	0.21	0.19	0.44	69
366-arg97-CCI-arg97-366 3-3-3, im	0048	0.46	0.46	ARG	ARG	0.020			0.020		CL	TS-D	N		0.16	0.20	0.38	74
366-arg97-CCI-arg97-366 3-3-3, im, Rectangular	0049	0.46	0.46	ARG	ARG	0.020			0.020		CL	TS-D	G	0.75	0.16	0.18	0.34	74
VCI-arg97-SG400 3-3, im	0050	0.65		ARG			0.113				CL	TS-D	N		0.29	0.56	0.65	60

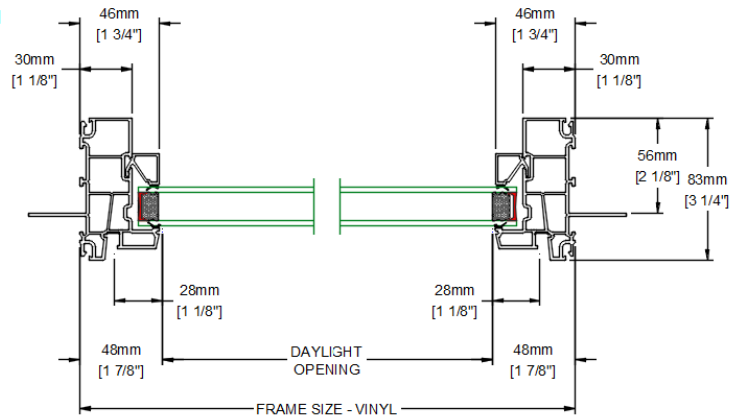
CROSS SECTIONS

LOW FIXED PICTURE WINDOW

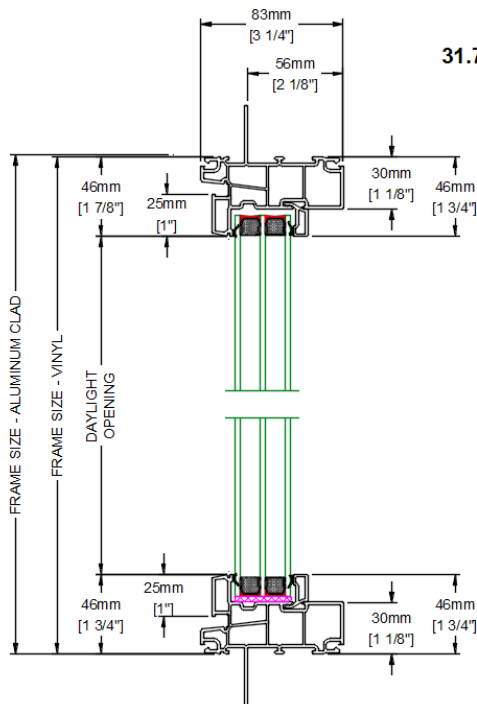


HEAD JAMB + SILL

22mm (7/8") DUAL PANE GLASS

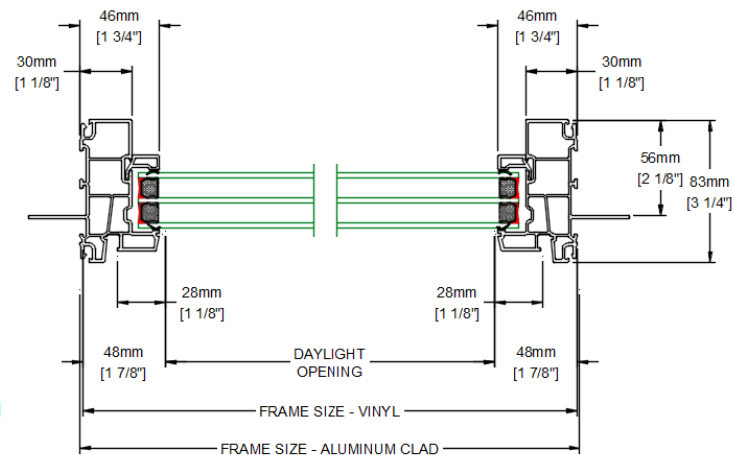


JAMBS



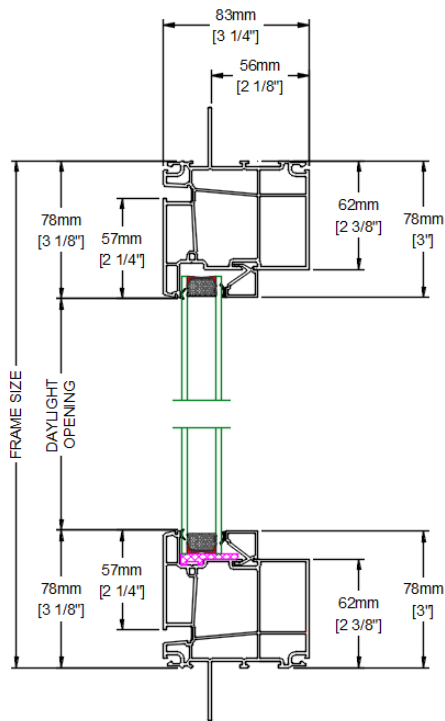
HEAD JAMB + SILL

31.75mm (1 1/4 ") TRIPLE PANE GLASS



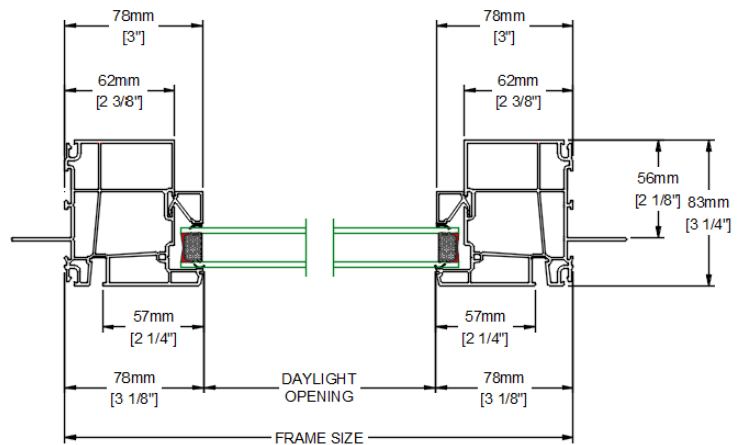
JAMBS

HIGH FIXED PICTURE WINDOW

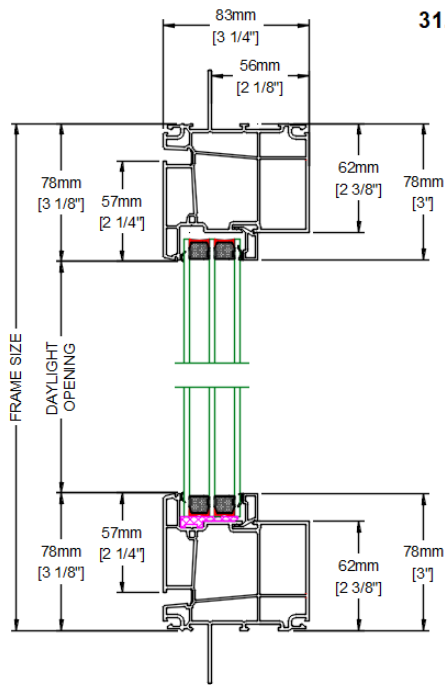


HEAD JAMB + SILL

22mm (7/8") DUAL PANE GLASS

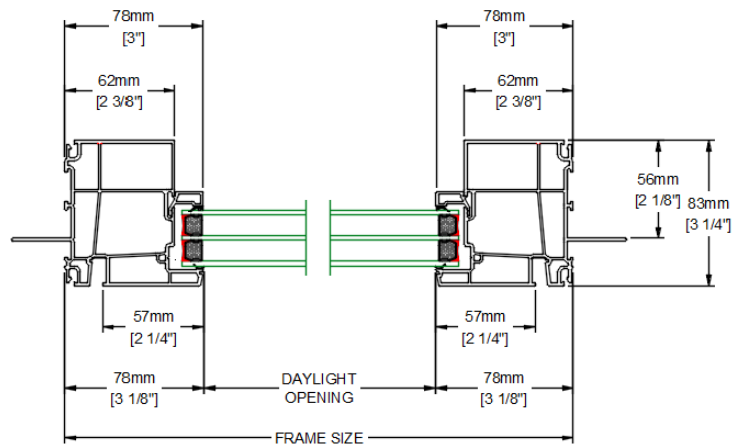


JAMBS



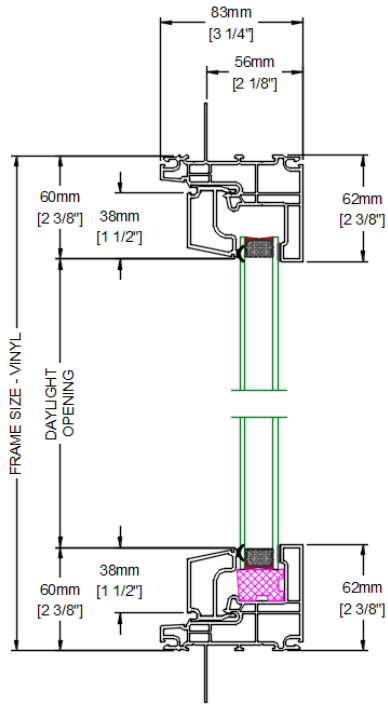
HEAD JAMB + SILL

31.75mm (1 1/4 ") TRIPLE PANE GLASS



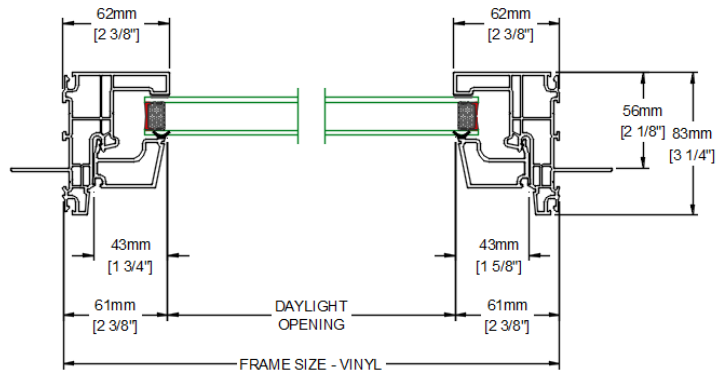
JAMBS

DIRECT SET PICTURE WINDOW

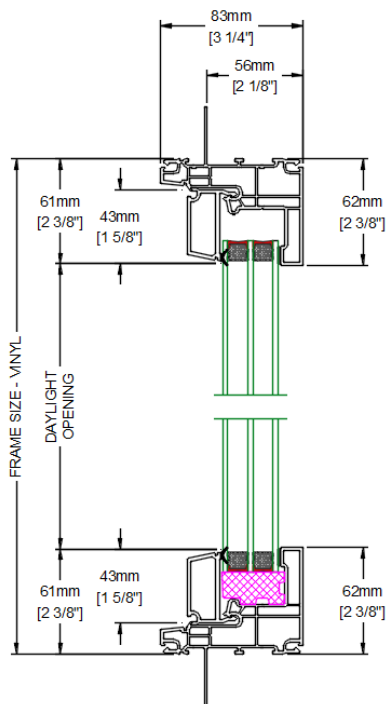


HEAD JAMB + SILL

25mm (1\") DUAL PANE GLASS

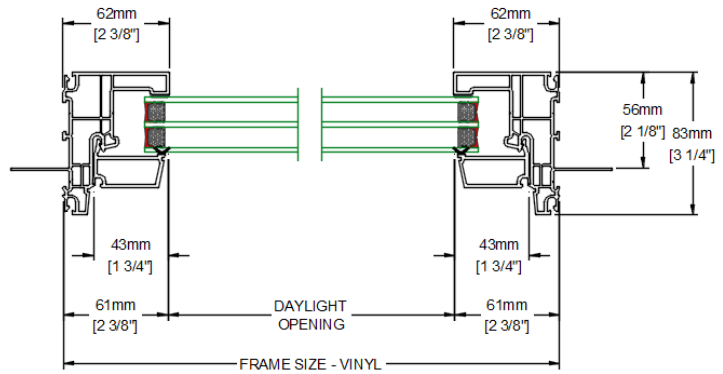


JAMBS



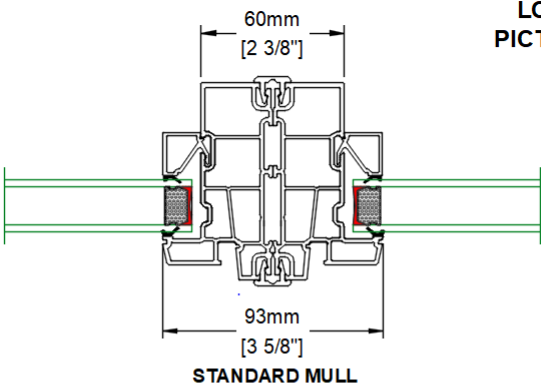
HEAD JAMB + SILL

31.75mm (1 1/4\") TRIPLE PANE GLASS

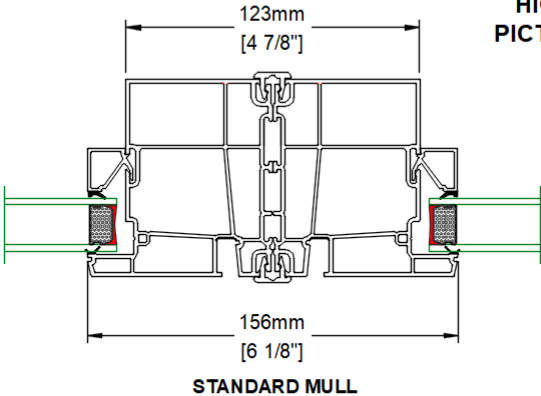
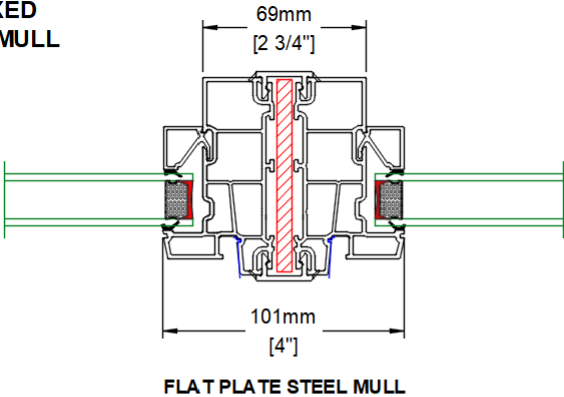


JAMBS

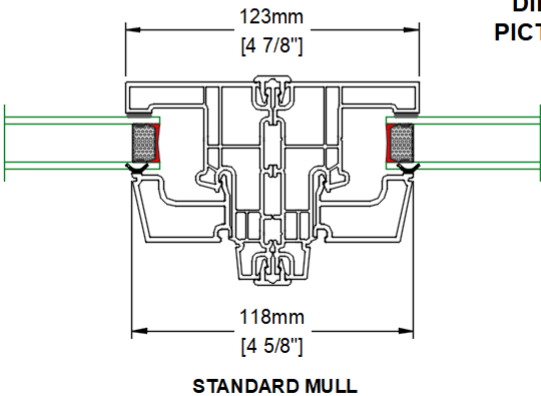
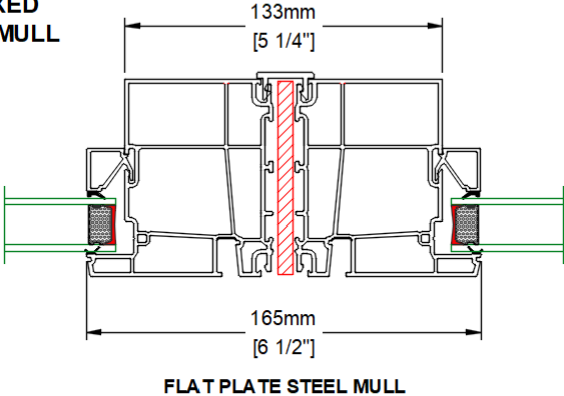
MULLING ASSEMBLY



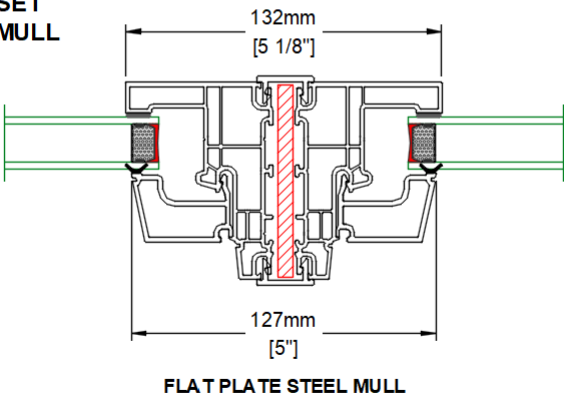
**LOW FIXED
 PICTURE MULL**



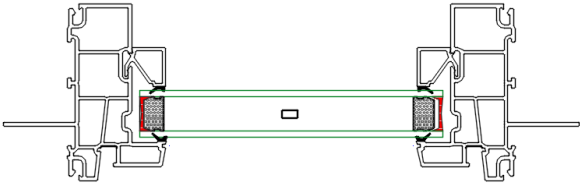
**HIGH FIXED
 PICTURE MULL**



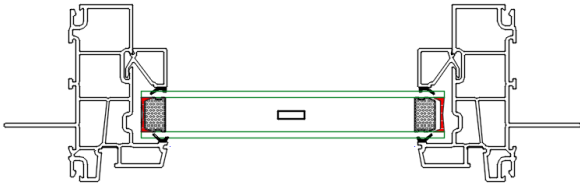
**DIRECT SET
 PICTURE MULL**



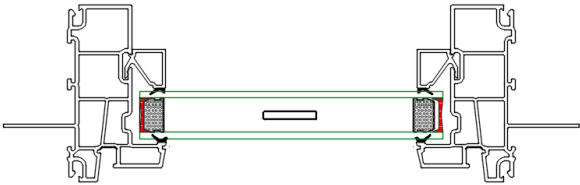
GRILL + SDL OPTIONS



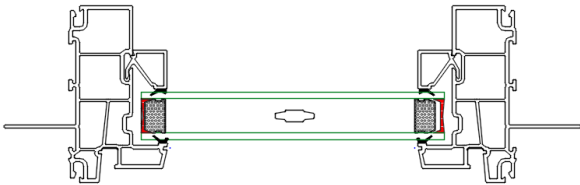
5/16" In-Glass Grill



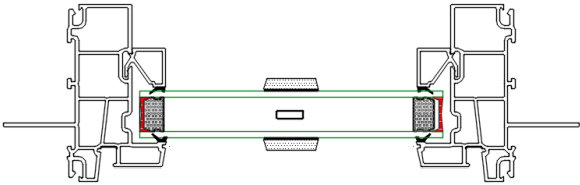
5/8" In-Glass Grill



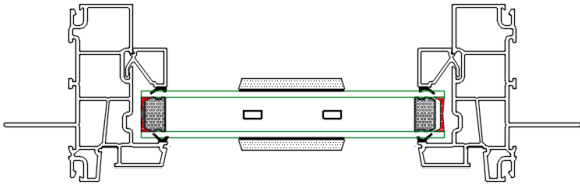
1" In-Glass Grill



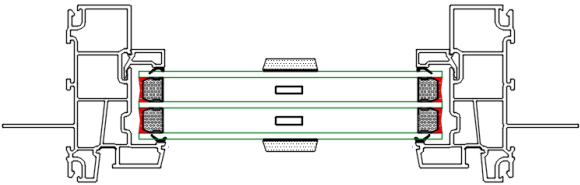
23/32" Contour In-Glass Grill



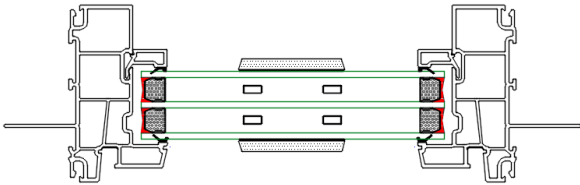
1" SDL PROFILE



2" SDL PROFILE




1" SDL PROFILE



2" SDL PROFILE

TEST REPORTS

PERFORMANCE TESTS IN ACCORDANCE WITH
AAMA/WDMA/CSA 101/I.S.2/A440-08 & A440S1-09

 <p>Report No.: AI-04196-N1</p>	<p>Product Manufacturer:</p> <p>NEXTRUSIONS 10500, RUE COLBERT MONTRÉAL, QUEBEC H1J 2H8 514-355-6868</p>																		
<p>Test Report Summary:</p> <table><tr><td>Product type:</td><td>PVC Fixed Window</td></tr><tr><td>Product series/model:</td><td>3000/4000 Series Fixed Window (Small Picture) – 5 mm glass</td></tr><tr><td>Primary product designator:</td><td>Class CW-PG85-FW Size tested 1980 x 1830 (78 x 72)</td></tr><tr><td>Optional secondary designator:</td><td>Positive Design pressure (DP) = 4080 Pa (85.0 psf) Negative design pressure (DP) = -4080 Pa (-85.0 psf) Water penetration resistance test pressure = 730 Pa (15.0 psf) Canadian air infiltration / exfiltration level = Fixed Level</td></tr><tr><td>Test completion date:</td><td>09/11/2014</td></tr><tr><td>Report date:</td><td>09/24/2014</td></tr><tr><td>Revision date:</td><td>-</td></tr><tr><td>Number of pages:</td><td>5</td></tr><tr><td>CAN/CSA A440-00 ratings:</td><td>FIXED / B7 / C5</td></tr></table> <p>Note: Reference must be made to Air-Ins Inc. complete report for test specimen description and detailed test results.</p>		Product type:	PVC Fixed Window	Product series/model:	3000/4000 Series Fixed Window (Small Picture) – 5 mm glass	Primary product designator:	Class CW-PG85-FW Size tested 1980 x 1830 (78 x 72)	Optional secondary designator:	Positive Design pressure (DP) = 4080 Pa (85.0 psf) Negative design pressure (DP) = -4080 Pa (-85.0 psf) Water penetration resistance test pressure = 730 Pa (15.0 psf) Canadian air infiltration / exfiltration level = Fixed Level	Test completion date:	09/11/2014	Report date:	09/24/2014	Revision date:	-	Number of pages:	5	CAN/CSA A440-00 ratings:	FIXED / B7 / C5
Product type:	PVC Fixed Window																		
Product series/model:	3000/4000 Series Fixed Window (Small Picture) – 5 mm glass																		
Primary product designator:	Class CW-PG85-FW Size tested 1980 x 1830 (78 x 72)																		
Optional secondary designator:	Positive Design pressure (DP) = 4080 Pa (85.0 psf) Negative design pressure (DP) = -4080 Pa (-85.0 psf) Water penetration resistance test pressure = 730 Pa (15.0 psf) Canadian air infiltration / exfiltration level = Fixed Level																		
Test completion date:	09/11/2014																		
Report date:	09/24/2014																		
Revision date:	-																		
Number of pages:	5																		
CAN/CSA A440-00 ratings:	FIXED / B7 / C5																		

Prepared by :

Digitally Signed by:
Éric Perron, Tech.
Physical Testing Department
Air-Ins Inc.

Approved by :

Digitally Signed by:
Jean Miller, Eng.
Director, Physical Testing Department
Air-Ins Inc.

 **AIR-INS inc.**
1320, boul. Lionel-Boulet,
Varenes (Québec) J3X 1P7
☎ (450) 652-0838
☎ (450) 652-7588
✉ info@air-ins.com



PERFORMANCE TESTING IN ACCORDANCE WITH
 AAMA/WDMA/CSA 101/I.S.2/A440-11 (NAFS 2011) & A440S1-17

PRODUCT MANUFACTURER
<p>NEXTRUSIONS 10500, rue Colbert Montréal, Québec H1J 2H8 1-800-263-5546</p>

REPORT AI-04878-B1

TEST REPORT SUMMARY	
Product type	Fixed Window
Product series/model	B3000
Primary product designator	Class CW – PG60 : Size tested 1981 x 1828 mm (~ 78 x 72 in) - Type FW
Optional secondary designator	Positive Design pressure (DP) = 2880 Pa (~60.15 psf) Negative design pressure (DP) = -2880 Pa (~-60.15 psf) Water penetration resistance test pressure = 720 Pa (~15.04 psf) Canadian air infiltration / exfiltration level = FIXED Level

See CLEB laboratory Inc. complete report AI-04878-B1 for test specimen description and detailed test results

Test completion date	2018-04-24	Number of pages	4 pages & 1 appendix
Report date	2018-12-21	Revision date	-

Prepared by:

Digitally Signed by:
 Eric Perron, Tech.
 Fenestration Testing Department
 CLEB laboratory Inc.

Approved by:

Digitally Signed by:
 Jean Miller, P.Eng.
 Manager, Fenestration Testing Department
 CLEB laboratory Inc.

LABORATORY, FIELD TESTING AND ADVISORY SERVICES FOR THE BUILDING ENVELOPE
 30 YEARS STRONG, UL AND CLEB SERVING CUSTOMERS ACROSS NORTH AMERICA AND BEYOND

CHICAGO
 US Headquarters
 750 Anthony Trail
 Northbrook, IL 60062
 chicago@cleb.com

MONTREAL
 Canada Headquarters
 1320 Lionel-Boulet Blvd
 Varennes, QC J3X 1P7
 montreal@cleb.com

QUEBEC
 420 Charest East Blvd
 Suite 300
 Quebec, QC G1K 8M4
 quebec@cleb.com

OTTAWA
 29 Capital Drive
 Suite 200
 Ottawa, ON K2G 0E7
 ottawa@cleb.com

TRURO
 64 Inglis Place
 Suite 203
 Truro, NS B2N 4B4
 truro@cleb.com

NEW YORK
 747 Third Avenue
 2nd Floor
 New York, NY 10017
 newyork@cleb.com

T: 855.353.2532 W: ul.com/buildingenvelope